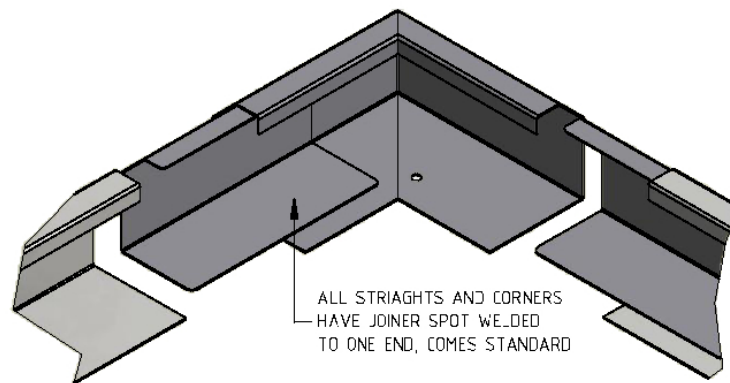
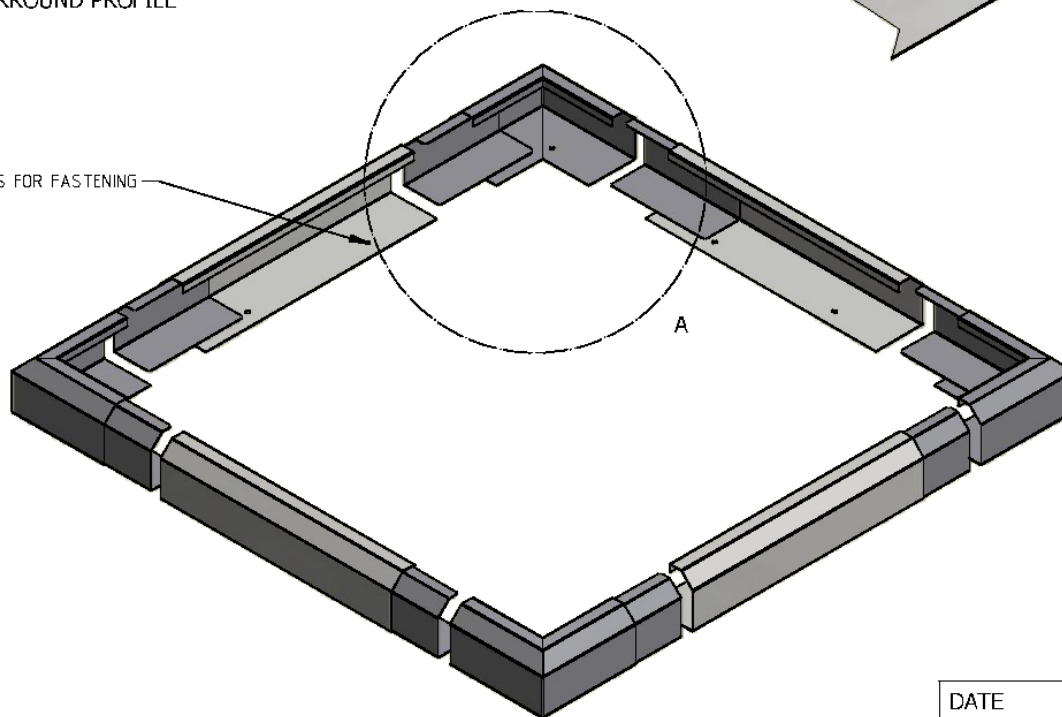


STANDARD PLINTH SURROUND PROFILE



8 $\phi$  HOLES FOR FASTENING



DATE	ECOWISE INSULATION SOLUTIONS
REV	MODULAR PLINTH SYSTEM
DRAWN	MATERIAL 1.2 GALVABOND STEEL